



P280

Passive radiator

DOMEMATERIAL: SANDWICH
APPLICATION: PASSIVE RADIATOR
NOMINAL DIAMETER: 280 mm

MAIN FEATURES :

- AIRFLOW OPTIMIZED BASKET DESIGN
- ROBUST EXTRA MASS SCREW MOUNT
- SOFT HIGHSHAPE RUBBER SURROUND
- LOW LOSS SPIDER AND SURROUND
- WIDEBAND RESONANCE TUNING
- 15 HZ - 45 HZ



The **P280** is an 11 inch passive radiator with **sandwich dome**.

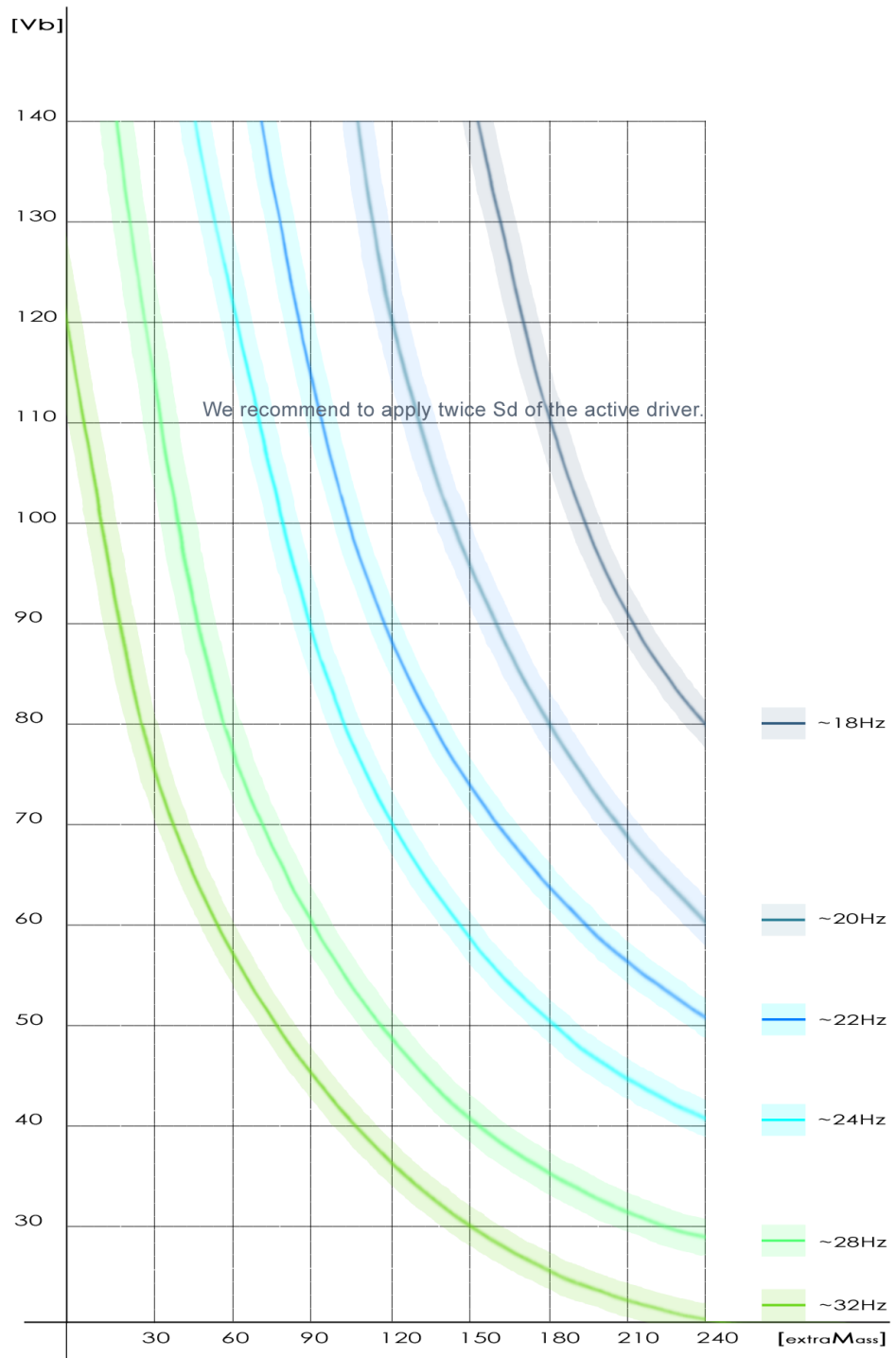
Extra mass can easily be added to tune the resonance frequency. A simple but robust **screw mount** provides fixing of stainless steel discs in the desired quantity.

The values of V_{as} and C_{ms} allow for **extensive tuning** and **various box sizes**.

A **new basket design** provides for perfect airflow without compression effects or turbulences.

Please note, that the resulting resonance frequency is NOT a constant with all spiders used today. This is why we use graph areas in the diagramm. It depends on the excursion of the dome, because all spiders have a progressive characteristic. The C_{ms} value rises by a factor of approximately 2 at 6mm excursion. Therefore, the excursion should be kept low by applying enough piston area.

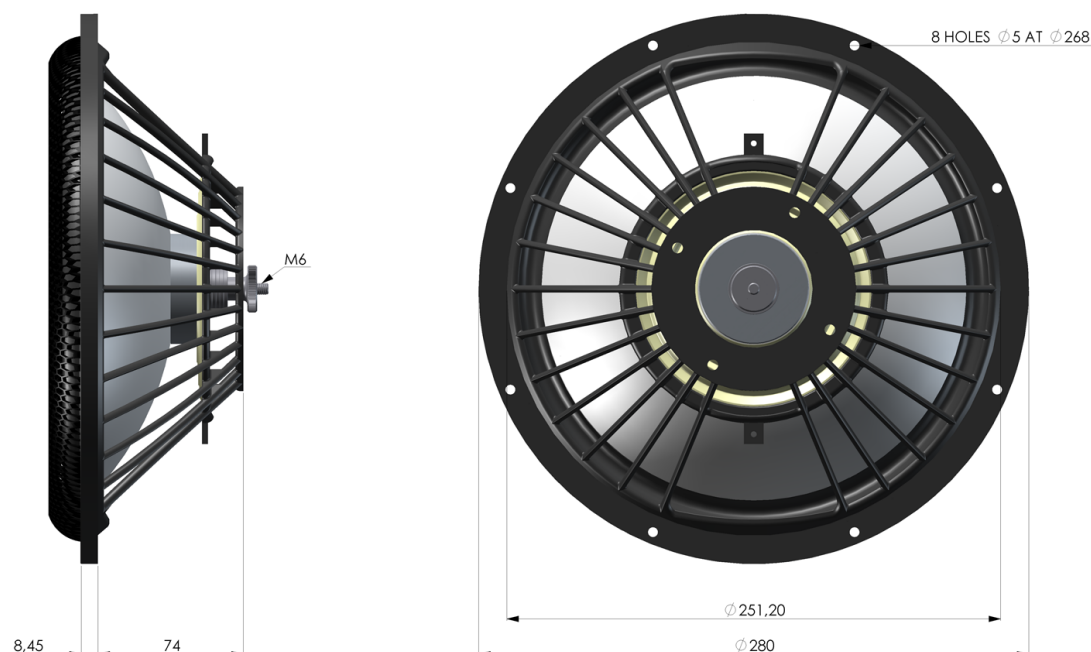
The stated resonance frequency of the passive radiator is taken at 3mm excursion, offering a realistic value.



Get more info about passive radiators here: www.accuton.de/media/whitepaper/passive%radiators

All rights reserved - All data with reservation and subject to change.

Thiel & Partner GmbH | Kantstrasse 1 | 50259 Pulheim | T +49 (0) 2238 / 475475 | a.bankewitz@accuton.com



P280
Passive radiator

Mechanical data		
Overall diameter	280	mm
Cutout hole diameter	251.2	mm
Frontplate depth	8.45	mm
Overall depth	131.95	mm
Motor assembly diameter	-	
Motor assembly depth	-	
Screw fitting	DIN 7984, 4mm	
Terminal	-	
Shipping weight / net weight	4.5 / 3.8	kg
Shipping box size	300 / 180 / 300	mm

Thiele/Small Parameters			
Sensitivity (2.83V / 1m)	Lp	-	
DC-resistance	Re	-	
Resonance frequency	Fs	21	Hz
Equivalent vol. of air	Vas	226	L
Mechanical Q	Qms	-	
Electrical Q	Qes	-	
Total Q	Qts	-	
Effective piston area	Sd	408	cm ²
Moving mass	Mms	63	g
Suspension compl.	Cms	0.94	mm/N
Mechanical resistance	Rms	1.87	kg x s

Voice Coil data			
Power handling	P	-	
Linear excursion	Xmax	+/- 13	mm
Voice coil diameter		-	
Voice coil former material		-	
Voice coil material		-	
Voice coil inductance	Le	-	
Force factor	Bl	-	
Motor type		-	
Ferrofluid filling		no	

* Please refer to www.accuton.com for exact measurement conditions and additional information.

All rights reserved - All data with reservation and subject to change.

Thiel & Partner GmbH Kantstrasse 1 50259 Pulheim T +49 (0) 2238 / 475475 a.bankewitz@accuton.com